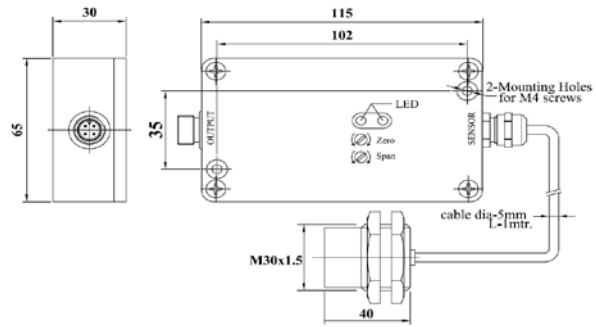


Dimensions



Technical Data

	Model	LDS-L31-3210A
<b>General specifications</b>		
Rated Operating Distance	Sn	2-10mm
<b>Nominal Ratings</b>		
Supply Voltage	Ue	12V DC ± 10 %
Response Frequency	f	1KHz (-3 dB)
Ripple		<10% (P-P)
Resolution		0.05% of F.S
Confirmity		± 1.5% of F.S
Temperature Stability		0.05% of F.S /°C
No-load supply current	Io	100 mA Max.
Output Voltage		0-10 V, 20 mA Max.
Rated insulation voltage	Ui	75Vdc
Utilization Categories		DC-12
Protection Circuit		Short circuit & Polarity reversal
Function Indication		RED LED-Power, Green LED -Span
Output adjustments		Potentiometer for Zero& Span
<b>Ambient Conditions</b>		
Operating temperature		0 ° C to 60 °C
<b>Mechanical Specifications</b>		
Connection Type		4 pin Connection M12
Housing		Aluminium , 115x65x30 mm
Standard Target		30X30X1mm of St
Protection class		IP 65
<b>Compliance with Standards and Directives</b>		
Standards Conformity		EN 60947- 5-2
Approval		CE