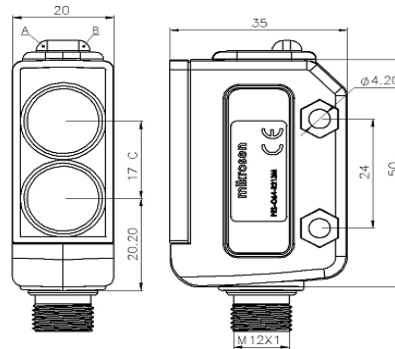


Dimensions



Item	Description
A	Amber indicator
B	Green indicator
C	Optical Axis Position

Technical Data

	Model	PEV-O64-T201E
General specifications		
Type		Thrubeam - Emitter
Rated Operating Distance	S_n	10 Mtrs \pm 10%
Nominal Ratings		
Supply Voltage	U_e	10-30 Vdc
Rated operating current	I_e	< 30 mA
Rated insulation voltage	U_i	75 Vdc
Protection Circuit		Short circuit & Polarity reversal
Function Indication		Amber LED - Power ON Green LED - Ready
Ambient Conditions		
Operating temperature		-5° C to +55° C
Mechanical Specifications		
Housing Material		Plastic ABS
Size		50 X 35 X 20 mm
Degree of protection		IP 67
Connection		M12 Connector
Compliance with Standards and Directives		
Standards Conformity		EN 60947- 5-2
Approval / Marking		CE