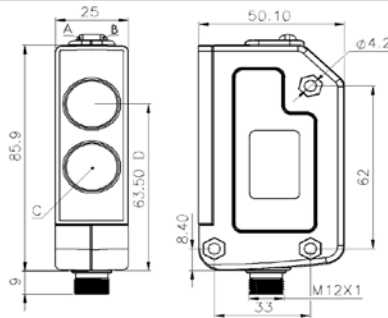




**Dimensions**



Item	Description
A	Amber indicator
B	Green indicator
C	Yellow alignment indicator
D	Optical Axis Position

**Technical Data**

		Model	PEV-O65-T262M
<b>General specifications</b>			
Type			Thrubeam - Receiver
Output Logic/Switching element function			Push-pull switching Outputs
Pin4 - OUT 1:			PNP light sensing, NPN dark sensing
Pin2 - OUT 2:			PNP dark sensing, NPN light sensing
Rated Operating Distance	$S_n$		80 Mtrs $\pm$ 10%
<b>Nominal Ratings</b>			
Supply Voltage	$U_e$		10-30 Vdc
Frequency of Operating cycle	$f$		500 Hz
Hysteresis/Differential travel	$H$		$\pm$ 10%
Rated operating current	$I_e$		200 mA
No-load supply current	$I_o$		< 50 mA
Voltage drop	$U_d$		< 2.2Vdc
OFF state current	$I_r$		< 0.1mA
Rated insulation voltage	$U_i$		75 Vdc
Utilization category			DC-12
Permissible Ambient light			3000Lux.
Protection Circuit			Short circuit & Polarity reversal
Function Indication			Amber LED - Power ON Green LED - Light Path Free Yellow LED - Alignment Indication
<b>Ambient Conditions</b>			
Operating temperature			-5° C to +55° C
<b>Mechanical Specifications</b>			
Housing Material			Plastic ABS
Size			86 X 50 X 25 mm
Degree of protection			IP 67
Connection			M12 Connector
<b>Compliance with Standards and Directives</b>			
Standards Conformity			EN 60947- 5-2
Approval / Marking			CE