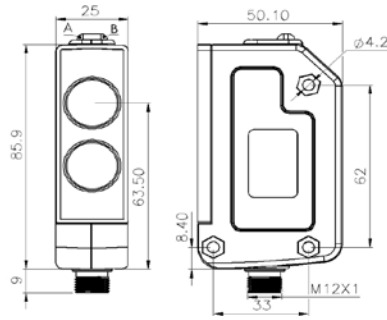




Dimensions



| Item | Description |
|------|-----------------|
| A | Amber indicator |
| B | Green indicator |

Technical Data

| | Model | PEV-O65-T202E |
|-------------------------------------------------|-------|-------------------------------------------|
| General specifications | | |
| Type | | Thru-beam - Emitter |
| Rated Operating Distance | S_n | 80 Mtrs ± 10% |
| Nominal Ratings | | |
| Supply Voltage | U_e | 10-30 Vdc |
| Rated operating current | I_e | < 30 mA |
| Rated insulation voltage | U_i | 75 Vdc |
| Utilization category | | DC-12 |
| Protection Circuit | | Short circuit & Polarity reversal |
| Function Indication | | Amber LED - Power ON Green LED - Ready |
| Ambient Conditions | | |
| Operating temperature | | -5° C to +55° C |
| Mechanical Specifications | | |
| Housing Material | | Plastic ABS |
| Size | | 86 X 51 X 25 mm |
| Degree of protection | | IP 67 |
| Connection | | M12 Connector |
| Compliance with Standards and Directives | | |
| Standards Conformity | | EN 60947- 5-2 |
| Approval / Marking | | CE |