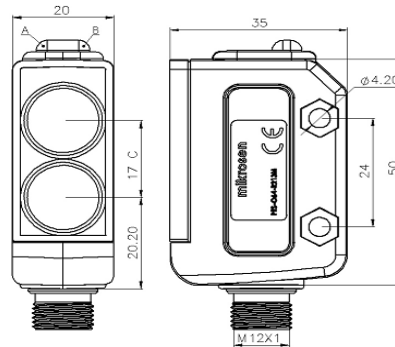


Dimensions



Item	Description
A	Amber indicator
B	Green indicator
C	Optical Axis Position

Technical Data

Model		PEV-O64-T261M
General specifications		
Type		Thrubeam - Receiver
Switching Output		1 Push-pull output, D/L selectable
	Pin4 - OUT 1:	
Rated Operating Distance	S_n	10 Mtrs \pm 10%
Nominal Ratings		
Supply Voltage	U_e	10-30 Vdc
Frequency of Operating cycle	f	500 Hz
Hysteresis/Differential travel	H	\pm 10%
Rated operating current	I_e	200 mA
No-load supply current	I_o	< 50 mA
Voltage drop	U_d	< 2.2Vdc
OFF state current	I_r	< 0.1mA
Rated insulation voltage	U_i	75 Vdc
Utilization category		DC-12
Permissible Ambient light		3000Lux.
Protection Circuit		Short circuit & Polarity reversal
Function Indication		Amber LED - Ready, Green LED - Output
Ambient Conditions		
Operating temperature		-5° C to +55° C
Mechanical Specifications		
Housing Material		Plastic ABS
Size		50 X 35 X 20 mm
Degree of protection		IP 67
Connection		M12 Connector
Compliance with Standards and Directives		
Standards Conformity		EN 60947- 5-2
Approval / Marking		CE